

Certificate of Pedigree

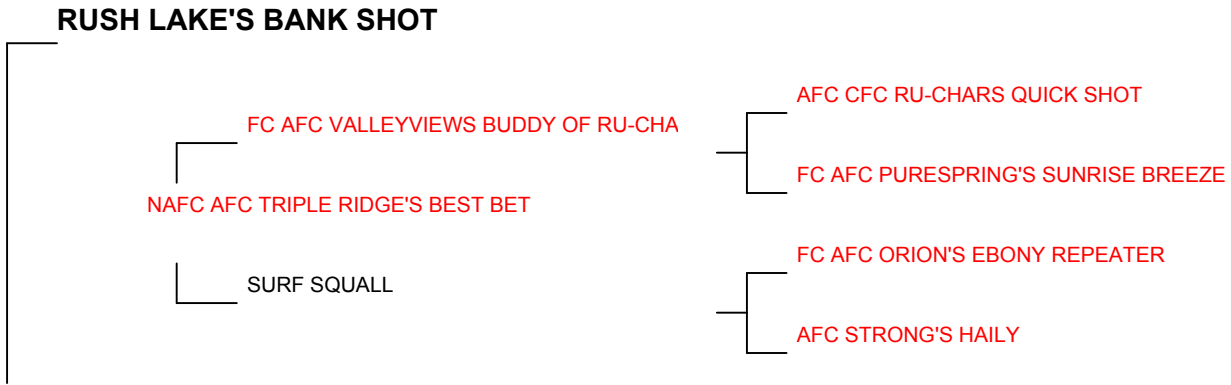
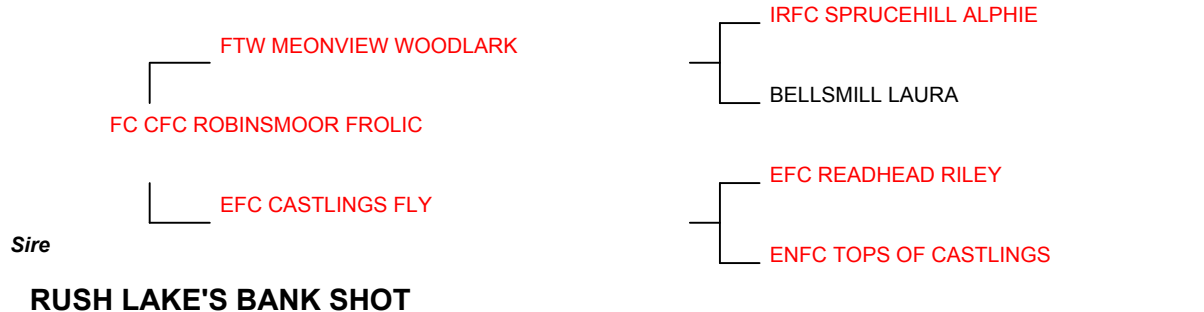
Call Name: ROCKY

Breed: English Springer Spaniel

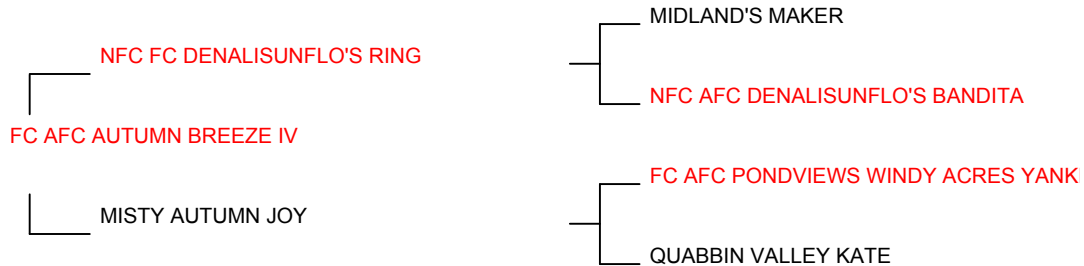
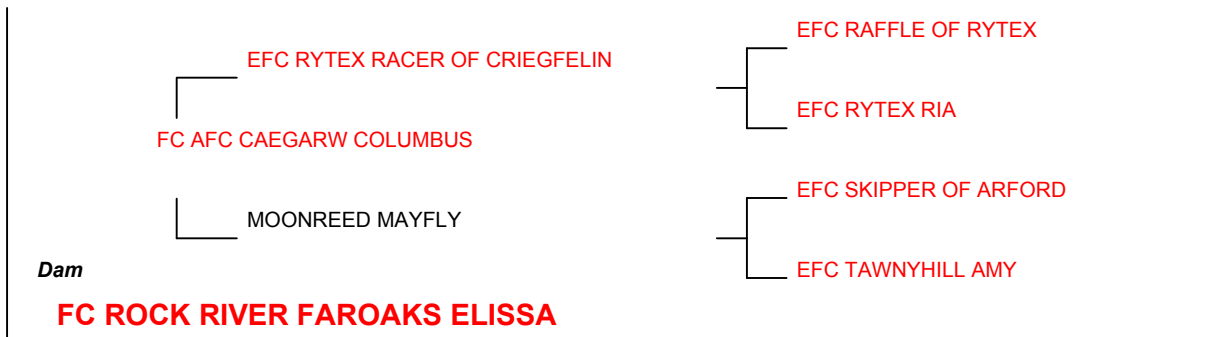
ROCK RIVER KENNELS
ROCK RIVER KENNELS
W7283 WALNUT ROAD
BEAVER DAM, WISC. 53916
(920) 689-2468

Whelped: 4/15/2006

Reg. No. SR34046803



ROCK RIVER'S ROCKIN' THE FIELD



I hereby certify this pedigree accurate to the best of my knowledge.

Signed: _____ Date: _____